

RR/LRR

RR/LRR-Series

ROUNDED ROCKER SWITCHES

Carling Technologies' RR and LRR-Series round rocker switches feature a uniquely sculpted rocker design with electrical ratings of up to 12A 125VAC, 10A 250VAC and fit an industry standard cutout, making installation a snap. The lighted LRR-Series can be wired to accommodate dependent or independent, illumination, neon or incandescent lamps with red, green, amber or white translucent rockers. Standard or custom actuator legends are available.



Product Highlights:

- 125/250VAC or low voltage 12/24VDC
- Neon or Incandescent Illumination
- Industry Std. 20.2mm mounting hole
- Maintained or momentary circuitry

Typical Applications:

- Appliance
- Vacuum Cleaners
- Office Automation
- Food Service
- Audio Visual
- Test & Measurement



Dielectric Strength

UL/CUL:
1000V-live to dead metal parts
& opposite polarity

Electrical Life

50,000 cycles

Operating Temperature

32°F to 185°F (0°C to 85°C)

RR 1 1 2 - B B - N N

1 Series 2 Circuit 3 Rating 4 Termination 5 Actuator Color 6 Base Color 7 Lamp Voltage 8 Legend

1 SERIES

RR Rocker

LRR Lighted Rocker

2 CIRCUIT

- 1 On-None-Off
- 2 (On)-None-Off
- 3 On-None-(Off)
- 4 On-None-On
- 5 On-None-(On)
- 6 On-Off-On

3 RATING

- 1¹ 10A, 125-250VAC; 12A 125 VAC
- 1/4 HP 125-250 VAC
- 3 6A, 28 VDC
- 4 12A, 12 VDC
- 5 12A, 6 VDC

4 TERMINATION

- 2 .187 Tab

5 ACTUATOR COLOR

RR-Series (Non-Illuminated) Solid Color

- B** Black
- W** White
- R** Red

LRR-Series (Illuminated) Transparent Color

- 1** Amber
- 2** Red
- 3** Blue
- 4** Green
- 5** Clear

6 BASE COLOR

- B** Black
- W** White
- R** Red

7 LAMP VOLTAGE

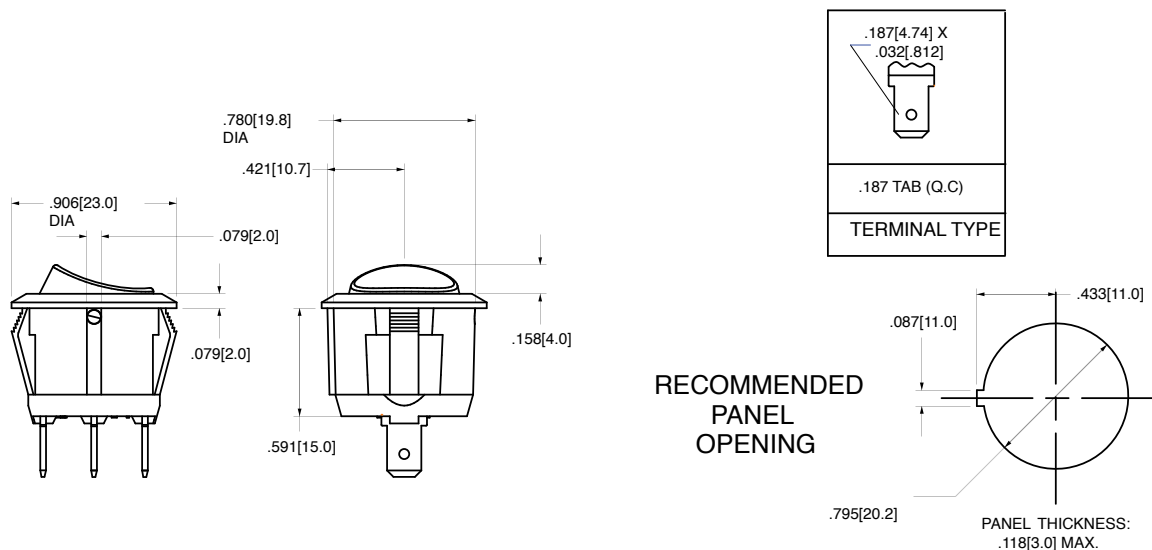
- N** None
- A** 6V Incandescent
- B** 12V Incandescent
- C** 28V Incandescent
- J**² 125V Neon
- K**² 250V Neon

8 ROCKER FACE LEGEND

- N** No imprinting
- A** On-Off (vertical)
- B** On-Off (horizontal)
- D** I-O (horizontal)
- E** I-O (vertical)
- F** O (on rocker end)
- G** II-O-I (vertical)
- H** II-O-I (horizontal)
- J** Off-On (vertical)
- K** Off-On (horizontal)

Notes:

- 1 Rating Code "1" has UL and cUL approval.
- 2 Neon Lamps (125 or 250 Volts) not recommended with green or blue actuators.



*Manufacturer reserves the right to change product specification without prior notice.